

立式喷墨切割机

Vertical Inkjet Cutting Plotter



应用领域

服装服饰行业、软体家具、汽车内饰、玩具等领域的纸样喷绘与切割。

Application

Clothing, Shoes & Caps, Bags & Luggage, Home Textile and other industries.

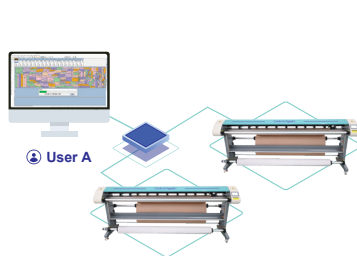
性能特点

- 高精度伺服电机，确保整卷纸张打印线条精准对接，切割精度高；
- 自主研发控制系统，确保整机长时间高精度运行；
- 自主研发供墨系统搭配HP45墨盒，供墨输出稳定，打印线条清晰；
- 高灵敏度刀座搭配钨钢刀片，适用不同厚度的纸张材料；
- 高清触摸屏人机界面友好交互；
- 开放物联采集数据端口，助力企业数字化升级；
- 兼容主流CAD输出的文件格式；

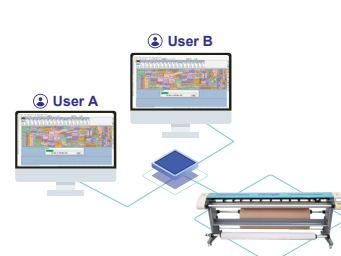
Features

- High-precision servo control ensures accurate alignment of printed lines on whole-roll paper and high cutting precision;
- Independently developed control system ensures long-term high-precision operation of the whole machine;
- Ink supply system paired with HP45 ink cartridges for stable ink output and sharp printing lines;
- High-sensitivity knife holder matched with tungsten steel blades, suitable for paper materials of different thicknesses;
- HD touch screen with user-friendly human-machine interaction;
- Open IoT data acquisition port to facilitate the digital upgrading of enterprises;
- Compatible with file formats output by mainstream CAD software.

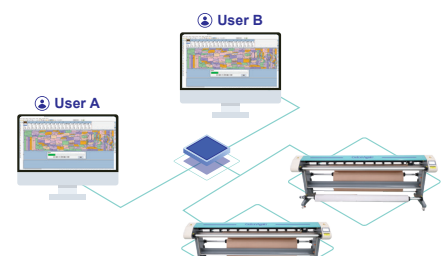
灵活多种的连接方式 Flexible and versatile connectivity options



多台切割机可链接一台电脑
Multiple Cutting Plotters can be linked to one computer.



一台切割机可链接多台电脑
One Cutting Plotter can be linked to multiple computers.



多台切割机可链接多台电脑
Multiple Cutting Plotters can be linked to multiple computers.

立式喷墨切割机 Vertical Inkjet Cutting Plotter

常规型号 Models

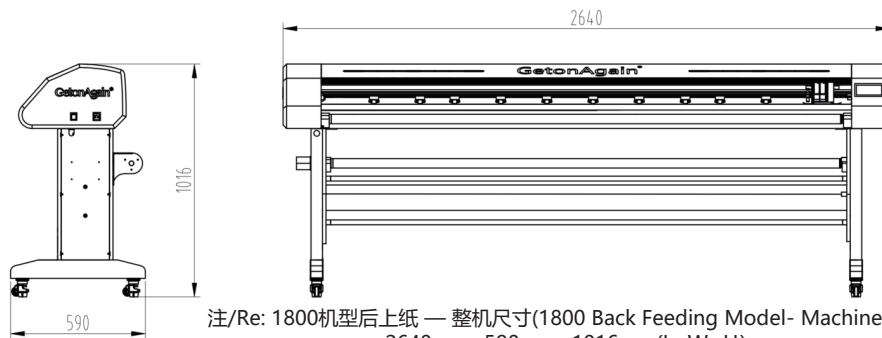
产品型号 Models	系列 Series	墨盒数量 Cartridge No.	有效切绘宽度: Cutting and Drawing Width	进纸宽度 Paper Width(mm)
GOA-SP-1-2	I+K	2	1300mm	1500mm
GOA-SP-1-2	I+K	2	1600mm	1800mm
GOA-SP-1-2	I+K	2	1800mm	2000mm

主要参数 Parameters

最大上纸重量: Max. Paper Load: 35Kg	切割速度: Cutting Speed: ≤1000mm/s	切割刀具: 转动刀头 Cutting Tool: Rotating Knife
切割材料厚度: 80g≤材料厚度≤200g Cutting Material Thickness: 80g~200g	收送纸系统: 全自动收送纸系统 Feeding System: Automatic Feeding System	喷绘材料厚度: Drawing Material Thickness: 40g~120g
墨盒类型: Cartridge type: HP45	环境温度: Working Temperature: 0-40°C	数据格式: Data Format: PLT/HPGL/HPGL
数据传输: RJ45网口 Data Port: RJ45 NET	喷墨分辨率: Inkjet Resolution: 600 DPI	数据分辨率: Data Resolution: 1/40mm 1/1000inch
电机类型: 全伺服电机 Motor Type: Full Servo Motor	喷墨速度: Inkjet Printing Speed: 110m ² /h	功率: Power: 0.4KW
电源: Voltage: AC220V/110V±10% 50/60Hz		

设备摆放示意图 Equipment Layout Diagram

Unit: mm



注/Re: 1800机型后上纸 — 整机尺寸(1800 Back Feeding Model- Machine size):
2640mm×590mm×1016mm(L×W×H)

天津再登高智能制造有限公司

地址: 天津宝坻经济开发区天宝南环路3号B楼-2号
邮箱: sales@raiseagaintech.com
网址: www.raiseagaintech.cn

400-166-8581

Tianjin RaiseAgain SM Co., Ltd.

Address: No.2,Block B-3, Tianbao Nanhuan Road, Baodi Economic Development Area, Tianjin, China. **0086-22-6035 9933**
Email: sales@raiseagaintech.com www.raiseagaintech.com